



LED Utility Candle

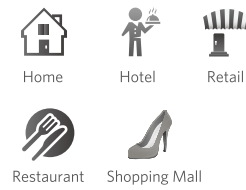
Features

- Light emitted through prism lens
- Gold and silver color options
- Energy efficient

Benefits

- Ideal for use in chandeliers, produces beautiful sparkling effect
- Easily match fixture color
- Up to 85% energy savings compared to incandescent candle

Application



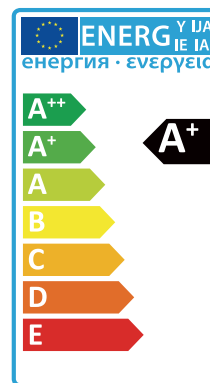
Specification

Order Name	Power (W)	Power Factor	Lumen (lm)	Efficacy (lm/W)	Beam Angle (°)	CRI	CCT (K)	Average Lifetime(hrs)	Energy Level	Finishing Colour	Tail Shape
C35E14 3WW S U	3	0.5	210	70	250°	80	2700	15000	A+	Silver	Bubble
C35E14 3WC S U	3	0.5	210	70	250°	80	4000	15000	A+	Silver	Bubble
F35E14 3WW S U	3	0.5	210	70	250°	80	2700	15000	A+	Silver	Flame
F35E14 3WC S U	3	0.5	210	70	250°	80	4000	15000	A+	Silver	Flame
F35E14 3WW G U	3	0.5	210	70	250°	80	2700	15000	A+	Golden	Flame
F35E14 3WC G U	3	0.5	210	70	250°	80	4000	15000	A+	Golden	Flame

Application Conditions	
IP	20
Operating Temperature	-20-45°C
Application Temperature	25°C
Storage Environment	-25-50°C

Mechanical and Finishing Properties	
Optical Material	PC
Housing Material	PBT
Finishing Colour	Golden / Silver

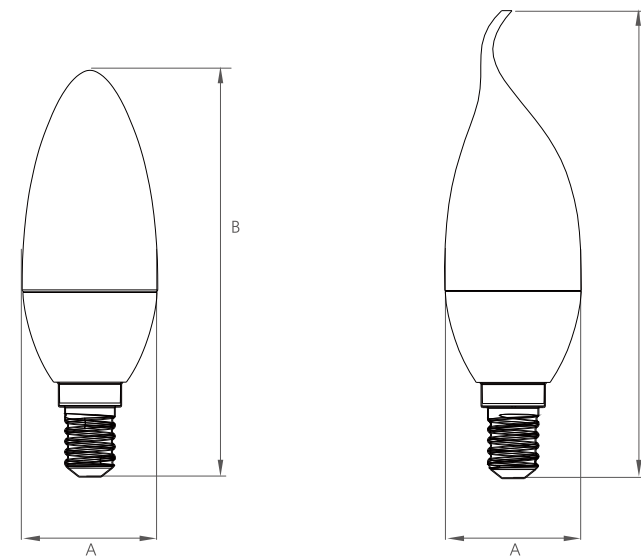
Electrical supply	
Frequency (Hz)	50/60Hz
Voltage (V)	220V-240V
AC/DC	AC



Packaging Information

Order Name	Single Box(1pc/box)		Packaging Unit		
	Dimensions(mm) (HxWxL)	Gross Weight (kg)	Dimensions(mm) (HxWxL)	Gross Weight (kg)	Packing QTY (pcs/CTN)
C35E14 3WW S U	38*38*135.5	0.051	205*205*290	2.5	50
C35E14 3WC S U	38*38*135.5	0.051	205*205*290	2.5	50
F35E14 3WW S U	38*38*135.5	0.051	205*205*290	2.5	50
F35E14 3WC S U	38*38*135.5	0.051	205*205*290	2.5	50
F35E14 3WW G U	38*38*135.5	0.051	205*205*290	2.5	50
F35E14 3WC G U	38*38*135.5	0.051	205*205*290	2.5	50

Dimensional Drawing



	F35	C35
A (mm)	Φ35.5	Φ35.5
B (mm)	130	110